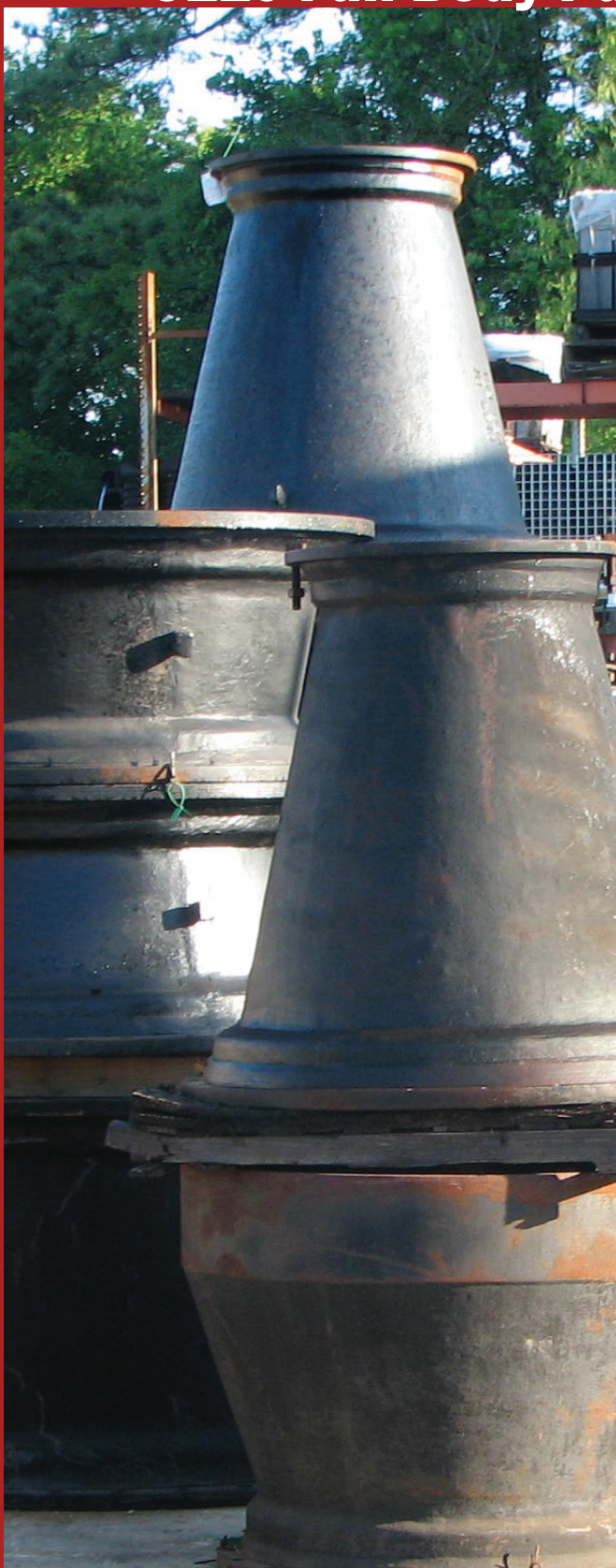




**Full
Body**

C110 Full Body Push-On Fittings

**P
U
S
H
O
N**

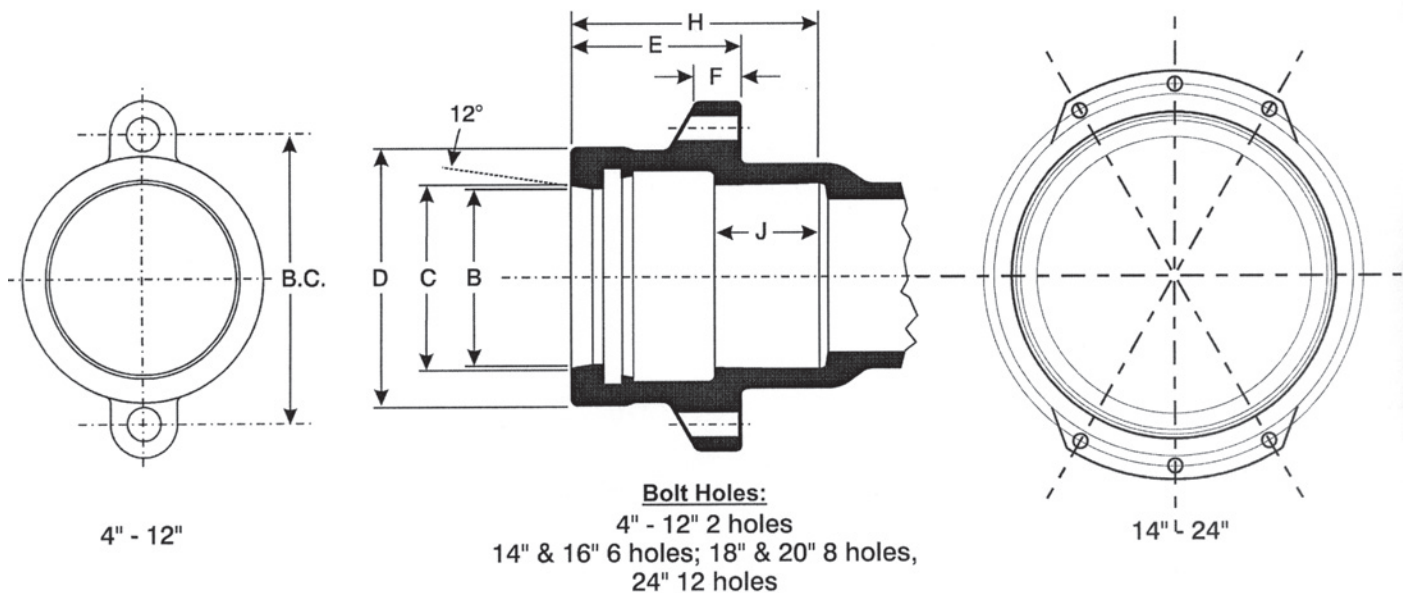




Weights in Pounds, Less Accessories / Dimensions in inches
Ductile Iron per ASTM A536/Cast Iron Per ASTM A48

C110 Full Body Push-On Fittings

BASIC SPECIFICATIONS	
MATERIAL	Ductile Iron ASTM A536; Grade 70-50-05 or 60-42-10
	Cast Iron ASTM A48; 25,000 psi Tensile Strength sizes 4" - 14"; 30,000 psi 16" - 24"
PRESSURE	DI: 4" - 24" 350 psi WWP (2415 k Pa)
	CI: 4" - 12", 250psi WWP (1725 k Pa); 14"-24"; 150 psi WWP (1035 k Pa)
TESTING	In accordance with AWWA C110 (ANSI A21.10)
LAYING LENGTH	All Laying Lengths and Metal Thickness to AWWA C110 (ANSI A21.10)
CEMENT LINING	In accordance with AWWA C104 (ANSI A21.4)
COATING	Tar Coated (bituminous) inside and out in accordance with AWWA 104 (ANSI 21.4)
GASKETS	SBR in accordance with AWWA C111 (ANSI A21.11)



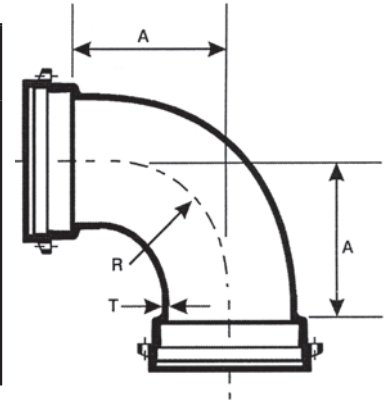
Bell Specifications for C110 Full Body Cast Iron/Ductile Iron Push-On Fittings

Nom. Pipe Size		B		D		B.C.		H		J		E		F	
in.	mm	in.	mm	in.	mm	in.	mm	in.	mm	in.	mm	in.	mm	in.	mm
4	100	4.90	124	7.08	180	8.00	203	4.00	102	1.72	44	2.58	66	1.25	32
6	150	7.00	178	9.28	236	10.16	257	4.00	102	1.72	44	2.40	61	1.25	32
8	200	9.15	232	11.85	301	12.56	319	4.50	114	1.86	47	3.00	76	1.25	32
10	250	11.20	284	13.68	347	14.94	379	4.50	114	2.06	52	2.88	73	1.25	32
12	300	13.30	338	16.06	406	17.16	436	5.00	127	2.36	60	3.25	83	1.25	32
14	350	15.44	392	19.75	448	18.75	476	5.00	140	2.48	63	3.50	121	1.25	32
16	400	17.54	446	20.14	527	23.88	556	6.00	152	2.98	76	3.50	121	1.25	32
18	450	19.64	499	23.75	603	25.00	635	6.00	152	3.50	89	3.50	121	1.25	32
20	500	21.74	552	26.00	660	27.25	692	6.00	152	3.80	97	3.75	159	1.25	32
24	600	25.94	659	30.50	775	32.00	813	6.00	152	3.80	97	3.75	159	1.25	32

C110 Full Body Push-On Fittings

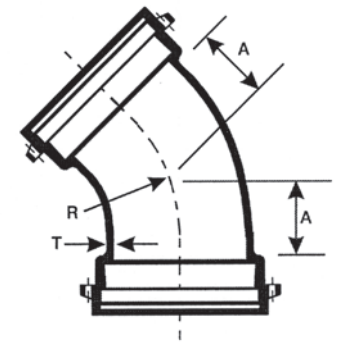
90 Degree Bends

Diameter		Part Number		A		R		T		Weight	
in.	mm	CI	DI	in.	mm	in.	mm	in.	mm	lb.	kg
4	100	CPB490	XPB490	6.5	165	4.50	114	.52	13	57	26
6	150	CPB690	XPB690	8.0	203	6.00	152	.55	14	92	42
8	200	CPB890	XPB890	9.0	229	7.00	178	.60	15	148	67
10	250	CPB1090	XPB1090	11.0	279	9.00	229	.68	17	227	103
12	300	CPB1290	XPB1290	12.0	305	10.00	254	.75	19	282	128
14	350	CPB1490	XPB1490	14.0	356	11.50	292	.66	17	495	226
16	400	CPB1690	XPB1690	15.0	381	12.50	318	.70	18	552	251
18	450	CPB1890	XPB1890	16.5	419	14.00	356	.75	19	790	358
20	500	CPB2090	XPB2090	18.0	457	15.50	344	.80	20	1035	469
24	600	CPB2490	XPB2490	22.0	559	18.50	470	.89	21	1690	767



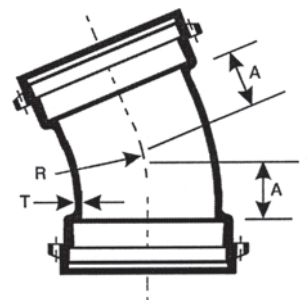
45 Degree Bends

Diameter		Part Number		A		R		T		Weight	
in.	mm	CI	DI	in.	mm	in.	mm	in.	mm	lb.	kg
4	100	CPB445	XPB445	4.0	102	4.81	122	.52	13	55	25
6	150	CPB645	XPB645	5.0	127	7.25	184	.55	14	86	39
8	200	CPB845	XPB845	5.5	140	8.44	215	.60	15	135	61
10	250	CPB1045	XPB1045	6.5	165	10.88	276	.68	17	187	85
12	300	CPB1245	XPB1245	7.5	190	13.25	337	.75	19	267	121
14	350	CPB1445	XPB1445	7.5	190	12.06	306	.66	17	400	181
16	400	CPB1645	XPB1645	8.0	203	13.25	337	.70	18	443	201
18	450	CPB1845	XPB1845	8.5	216	14.50	368	.75	19	625	283
20	500	CPB2045	XPB2045	9.5	241	16.88	429	.80	20	765	347
24	600	CPB2445	XPB2445	11.0	279	18.12	460	.89	21	1180	535



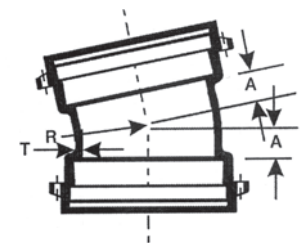
22-1/2 Degree Bends

Diameter		Part Number		A		R		T		Weight	
in.	mm	CI	DI	in.	mm	in.	mm	in.	mm	lb.	kg
4	100	CPB422	XPB422	4.0	102	10.06	256	.52	13	61	28
6	150	CPB622	XPB622	5.0	127	15.06	383	.55	14	90	41
8	200	CPB822	XPB822	5.5	140	17.62	448	.60	15	136	62
10	250	CPB1022	XPB1022	6.5	165	22.62	575	.68	17	175	79
12	300	CPB1222	XPB1222	7.5	190	27.62	702	.75	19	265	120
14	350	CPB1422	XPB1422	7.5	190	25.12	638	.66	17	400	181
16	400	CPB1622	XPB1622	8.0	203	27.62	702	.70	18	427	194
18	450	CPB1822	XPB1822	8.5	216	30.19	767	.75	19	625	283
20	500	CPB2022	XPB2022	9.5	241	35.19	894	.80	20	765	347
24	600	CPB2422	XPB2422	11.0	279	37.69	957	.89	21	1180	535



11-1/4 Degree Bends

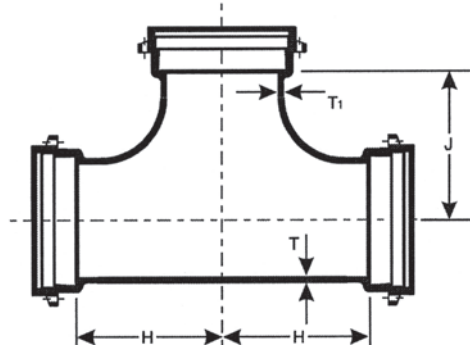
Diameter		Part Number		A		R		T		Weight	
in.	mm	CI	DI	in.	mm	in.	mm	in.	mm	lb.	kg
4	100	CPB411	XPB411	4.0	102	20.31	516	.52	13	57	26
6	150	CPB611	XPB611	5.0	127	30.50	775	.55	14	85	39
8	200	CPB811	XPB811	5.5	140	35.50	902	.60	15	135	61
10	250	CPB1011	XPB1011	6.5	165	45.69	1161	.68	17	177	80
12	300	CPB1211	XPB1211	7.5	190	55.81	1418	.75	19	259	118
14	350	CPB1411	XPB1411	7.5	190	50.75	1289	.66	17	400	181
16	400	CPB1611	XPB1611	8.0	203	55.81	1418	.70	18	454	206
18	450	CPB1811	XPB1811	8.5	216	60.94	1548	.75	19	625	283
20	500	CPB2011	XPB2011	9.5	241	71.06	1805	.80	20	765	347
24	600	CPB2411	XPB2411	11.0	279	76.12	1933	.89	21	1180	535





Weights in Pounds, Less Accessories / Dimensions in inches
Ductile Iron per ASTM A536/Cast Iron Per ASTM A48

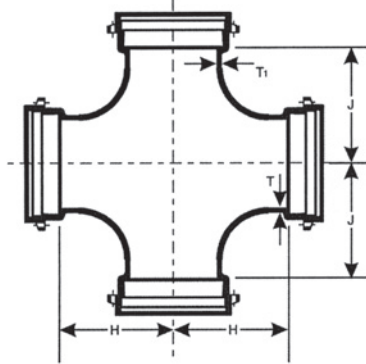
C110 Full Body Push-On Fittings



Tees

Run in.	Br in.	Run mm	Br mm	Item No.		H in.	J in.	H mm	J mm	T in.	T1 in.	T mm	T1 mm	Approx. Wt.	
				CI	DI									lb. DI	kg
4	4	100	100	CPT44	XPT44	6.50	6.50	165	165	.52	.52	13	13	88	40
6	4	150	100	CPT64	XPT64	8.00	8.00	203	203	.55	.52	14	13	136	62
6	6	150	150	CPT66	XPT64	8.00	8.00	203	203	.55	.55	14	14	142	64
8	4	200	100	CPT84	XPT84	9.00	9.00	229	229	.60	.52	15	13	190	86
8	6	200	150	CPT86	XPT86	9.00	9.00	229	229	.60	.55	15	14	196	89
8	8	200	200	CPT88	XPT88	9.00	9.00	229	229	.60	.60	15	15	213	97
10	4	250	100	CPT104	XPT104	11.00	11.00	279	279	.68	.52	17	13	298	135
10	6	250	150	CPT106	XPT106	11.00	11.00	279	279	.68	.55	17	14	275	125
10	8	250	200	CPT108	XPT108	11.00	11.00	279	279	.68	.60	17	15	302	137
10	10	250	250	CPT1010	XPT1010	11.00	11.00	279	279	.80	.80	20	20	327	148
12	4	300	100	CPT124	XPT124	12.00	12.00	305	305	.75	.52	19	13	380	172
12	6	300	150	CPT126	XPT126	12.00	12.00	305	305	.75	.55	19	14	379	172
12	8	300	200	CPT128	XPT128	12.00	12.00	305	305	.75	.60	19	15	392	178
12	10	300	250	CPT1210	XPT1210	12.00	12.00	305	305	.87	.80	22	20	452	205
12	12	300	300	CPT1212	XPT1212	12.00	12.00	305	305	.87	.87	22	22	474	215
14	6	350	150	CPT146	XPT146	14.00	14.00	356	356	.66	.55	17	14	602	273
14	8	350	200	CPT148	XPT148	14.00	14.00	356	356	.66	.60	17	15	618	280
14	10	350	250	CPT1410	XPT1410	14.00	14.00	356	356	.66	.68	17	17	620	281
14	12	350	300	CPT1412	XPT1412	14.00	14.00	356	356	.82	.75	21	19	625	284
14	14	350	350	CPT1414	XPT1414	14.00	14.00	356	356	.82	.82	21	21	784	356
16	6	400	150	CPT166	XPT166	15.00	15.00	381	381	.70	.55	18	14	639	290
16	8	400	200	CPT168	XPT168	15.00	15.00	381	381	.70	.60	18	15	633	287
16	10	400	250	CPT1610	XPT1610	15.00	15.00	381	381	.70	.68	18	17	688	312
16	12	400	300	CPT1612	XPT1612	15.00	15.00	381	381	.70	.75	18	19	679	308
16	14	400	350	CPT1614	XPT1614	15.00	15.00	381	381	.89	.82	23	21	888	403
16	16	400	400	CPT1616	XPT1616	15.00	15.00	381	381	.89	.89	23	23	849	385
18	6	450	150	CPT186	XPT186	13.00	15.50	330	394	.75	.55	19	14	836	380
18	8	450	200	CPT188	XPT188	13.00	15.50	330	394	.75	.60	19	15	840	381
18	10	450	250	CPT1810	XPT1810	13.00	15.50	330	394	.75	.68	19	17	860	390
18	12	450	300	CPT1812	XPT1812	13.00	15.50	330	394	.75	.75	19	19	888	402
18	14	450	350	CPT1814	XPT1814	16.50	16.50	419	419	.75	.66	19	17	1100	499
18	16	450	400	CPT1816	XPT1816	16.50	16.50	419	419	.96	.89	24	23	1125	510
18	18	450	450	CPT1818	XPT1818	16.50	16.50	419	419	.96	.96	24	24	1145	519
20	6	500	150	CPT206	XPT206	14.00	17.00	356	432	.80	.55	20	14	1020	463
20	8	500	200	CPT208	XPT208	14.00	17.00	356	432	.80	.60	20	15	1030	467
20	10	500	250	CPT2010	XPT2010	14.00	17.00	356	432	.80	.68	20	17	1050	476
20	12	500	300	CPT2012	XPT2012	14.00	17.00	356	432	.80	.75	20	19	1070	485
20	14	500	350	CPT2014	XPT2014	14.00	17.00	356	432	.80	.66	20	17	1105	501
20	16	500	400	CPT2016	XPT2016	18.00	18.00	457	457	.80	.70	20	18	1365	619
20	18	500	450	CPT2018	XPT2018	18.00	18.00	457	457	1.03	.96	26	24	1380	626
20	20	500	500	CPT2020	XPT2020	18.00	18.00	457	457	1.03	1.03	26	26	1440	653
24	6	600	150	CPT246	XPT246	15.00	19.00	381	483	.89	.55	23	14	1240	562
24	8	600	200	CPT248	XPT248	15.00	19.00	381	483	.89	.60	23	15	1270	577
24	10	600	250	CPT2410	XPT2410	15.00	19.00	381	483	.89	.68	23	17	1300	590
24	12	600	300	CPT2412	XPT2412	15.00	19.00	381	483	.89	.75	23	19	1330	603
24	14	600	350	CPT2414	XPT2414	15.00	19.00	381	483	.89	.66	23	17	1360	617
24	16	600	400	CPT2416	XPT2416	15.00	19.00	381	483	.89	.70	23	23	1450	658
24	18	600	450	CPT2418	XPT2418	22.00	22.00	559	559	.89	.75	23	24	1915	869
24	20	600	500	CPT2420	XPT2420	22.00	22.00	559	559	1.16	1.03	29	26	1950	884
24	24	600	600	CPT2424	XPT2424	22.00	22.00	559	559	1.16	1.16	29	29	2250	1021

C110 Full Body Push-On Fittings



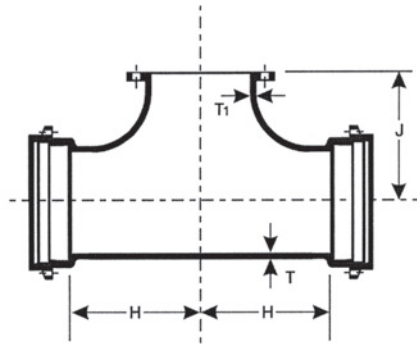
Crosses

Inches		MM		Item Number		H in.	J in.	H mm	J mm	T in.	T1 in.	T mm	T1 mm	Weight	
Run	Branch	Run	Branch	CI	DI									lb.	kg
4	4	100	100	CPC44	XPC44	6.50	6.50	165	165	.52	.52	14	13	109	49
6	4	150	100	CPC64	XPC64	8.00	8.00	203	203	.55	.52	14	13	150	68
6	6	150	150	CPC66	XPC66	8.00	8.00	203	203	.55	.55	15	14	172	78
8	4	200	100	CPC84	XPC84	9.00	9.00	229	229	.60	.52	15	13	214	97
8	6	200	150	CPC86	XPC86	9.00	9.00	229	229	.60	.55	15	14	250	113
8	8	200	200	CPC88	XPC88	9.00	9.00	229	229	.60	.60	18	15	263	119
10	4	250	100	CPC104	XPC104	11.00	11.00	279	279	.68	.52	18	13	314	142
10	6	250	150	CPC106	XPC106	11.00	11.00	279	279	.68	.55	18	14	294	133
10	8	250	200	CPC108	XPC108	11.00	11.00	279	279	.68	.60	18	15	326	148
10	10	250	250	CPC1010	XPC1010	11.00	11.00	279	279	.80	.80	20	20	353	160
12	4	300	100	CPC124	XPC124	12.00	12.00	305	305	.75	.52	19	13	405	184
12	6	300	150	CPC126	XPC126	12.00	12.00	305	305	.75	.55	19	14	405	184
12	8	300	200	CPC128	XPC128	12.00	12.00	305	305	.75	.60	19	15	442	201
12	10	300	250	CPC1210	XPC1210	12.00	12.00	305	305	.87	.80	22	20	522	237
12	12	300	300	CPC1212	XPC1212	12.00	12.00	305	305	.87	.87	22	20	558	253
14	6	350	150	CPC146	XPC146	14.00	14.00	356	356	.66	.55	17	14	630	286
14	8	350	200	CPC148	XPC148	14.00	14.00	356	356	.66	.60	17	15	671	304
14	10	350	250	CPC1410	XPC1410	14.00	14.00	356	356	.66	.68	17	17	695	315
14	12	350	300	CPC1412	XPC1412	14.00	14.00	356	356	.82	.75	21	19	750	340
14	14	350	350	CPC1414	XPC1414	14.00	14.00	356	356	.82	.82	21	21	860	390
16	6	400	150	CPC166	XPC166	15.00	15.00	381	381	.70	.55	18	14	790	358
16	8	400	200	CPC168	XPC168	15.00	15.00	381	381	.70	.60	18	15	835	379
16	10	400	250	CPC1610	XPC1610	15.00	15.00	381	381	.70	.68	18	17	900	408
16	12	400	300	CPC1612	XPC1612	15.00	15.00	381	381	.70	.75	18	19	807	366
16	14	400	350	CPC1614	XPC1614	15.00	15.00	381	381	.89	.82	23	21	1060	481
16	16	400	400	CPC1616	XPC1616	15.00	15.00	381	381	.89	.89	23	23	981	445
18	6	450	150	CPC186	XPC186	13.00	15.50	330	394	.75	.55	19	14	845	383
18	8	450	200	CPC168	XPC188	13.00	15.50	330	394	.75	.60	19	15	880	399
18	10	450	250	CPC1810	XPC1810	13.00	15.50	330	394	.75	.68	19	17	940	426
18	12	450	300	CPC1812	XPC1812	13.00	15.50	330	394	.75	.75	19	19	1065	483
18	14	450	350	CPC1814	XPC1814	16.50	16.50	419	419	.75	.66	19	17	1200	544
18	16	450	400	CPC1816	XPC1816	16.50	16.50	419	419	.96	.89	24	23	1370	621
18	18	450	450	CPC1818	XPC1818	16.50	16.50	419	419	.96	.96	24	24	1400	635
20	6	500	150	CPC206	XPC206	14.00	17.00	356	432	.80	.55	20	14	1100	499
20	8	500	200	CPC208	XPC208	14.00	17.00	356	432	.80	.60	20	15	1150	522
20	10	500	250	CPC2010	XPC2010	14.00	17.00	356	432	.80	.68	20	17	1180	535
20	12	500	300	CPC2012	XPC2012	14.00	17.00	356	432	.80	.75	20	19	1200	544
20	14	500	350	CPC2014	XPC2014	14.00	17.00	356	432	.80	.66	20	17	1250	567
20	16	500	400	CPC2016	XPC2016	18.00	18.00	457	457	.80	.70	20	18	1620	735
20	18	500	450	CPC2018	XPC2018	18.00	18.00	457	457	1.03	.96	26	24	1700	771
20	20	500	500	CPC2020	XPC2020	18.00	18.00	457	457	1.03	1.03	26	26	1900	862
24	6	600	150	CPC246	XPC246	15.00	19.00	381	483	.89	.55	23	14	1320	599
24	8	600	200	CPC248	XPC248	15.00	19.00	381	483	.89	.60	23	15	1350	612
24	10	600	250	CPC2410	XPC2410	15.00	19.00	381	483	.89	.68	23	17	1390	631
24	12	600	300	CPC2412	XPC2412	15.00	19.00	381	483	.89	.75	23	19	1420	644
24	14	600	350	CPC2414	XPC2414	15.00	19.00	381	483	.89	.66	23	17	1470	667
24	16	600	400	CPC2416	XPC2416	15.00	19.00	381	483	.89	.70	23	18	1670	757
24	18	600	450	CPC2418	XPC2418	22.00	22.00	559	559	.89	.75	23	19	2200	998
24	20	600	500	CPC2420	XPC2420	22.00	22.00	559	559	1.16	1.03	29	26	2350	1066
24	24	600	600	CPC2424	XPC2424	22.00	22.00	559	559	1.16	1.16	29	29	2500	1134



Weights in Pounds, Less Accessories / Dimensions in inches
Ductile Iron per ASTM A536/Cast Iron Per ASTM A48

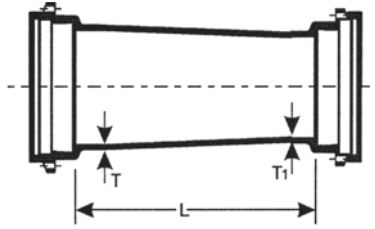
C110 Full Body Push-On Fittings



Tees (PO x Flange)

Run in.	Br in.	Run mm	Br mm	Item Number		H in.	J in.	H mm	J mm	T in.	T mm	T1 in.	T1 mm	Weight	
				Cl	DI									lb.	kg
4	4	100	100	CPF44	XPF44	6.50	6.50	165	165	.52	.52	13	13	88	40
6	4	150	100	CPF64	XPF64	8.00	8.00	203	203	.55	.52	14	13	136	62
6	6	150	150	CPF66	XPF66	8.00	8.00	203	203	.55	.55	14	14	130	59
8	4	200	100	CPF84	XPF84	9.00	9.00	229	229	.60	.52	15	13	190	86
8	6	200	150	CPF86	XPF86	9.00	9.00	229	229	.60	.55	15	14	186	84
8	8	200	200	CPF88	XPF88	9.00	9.00	229	229	.60	.60	15	15	230	104
10	4	250	100	CPF104	XPF104	11.00	11.00	279	279	.68	.52	17	13	298	135
10	6	250	150	CPF106	XPF106	11.00	11.00	279	279	.68	.55	17	14	310	141
10	8	250	200	CPF108	XPF108	11.00	11.00	279	279	.68	.60	17	15	327	148
10	10	250	250	CPF1010	XPF1010	11.00	11.00	279	279	.80	.80	20	20	332	151
12	4	300	100	CPF124	XPF124	12.00	12.00	305	305	.75	.52	19	13	380	172
12	6	300	150	CPF126	XPF126	12.00	12.00	305	305	.75	.55	19	14	390	177
12	8	300	200	CPF128	XPF128	12.00	12.00	305	305	.75	.60	19	15	412	187
12	10	300	250	CPF1210	XPF1210	12.00	12.00	305	305	.87	.80	22	20	460	209
12	12	300	300	CPF1212	XPF1212	12.00	12.00	305	305	.87	.87	22	22	495	225
14	6	350	150	CPF146	XPF146	14.00	14.00	356	356	.66	.55	17	14	602	273
14	8	350	200	CPF148	XPF148	14.00	14.00	356	356	.66	.60	17	15	618	280
14	10	350	250	CPF1410	XPF1410	14.00	14.00	356	356	.66	.68	17	17	620	281
14	12	350	300	CPF1412	XPF1412	14.00	14.00	356	356	.82	.75	21	19	625	284
14	14	350	350	CPF1414	XPF1414	14.00	14.00	356	356	.82	.82	21	21	784	356
16	6	400	150	CPF166	XPF166	15.00	15.00	381	381	.70	.55	18	14	752	341
16	8	400	200	CPF168	XPF168	15.00	15.00	381	381	.70	.60	18	15	785	356
16	10	400	250	CPF1610	XPF1610	15.00	15.00	381	381	.70	.68	18	17	795	361
16	12	400	300	CPF1612	XPF1612	15.00	15.00	381	381	.70	.75	18	19	830	376
16	14	400	350	CPF1614	XPF1614	15.00	15.00	381	381	.89	.82	23	21	888	403
16	16	400	400	CPF1616	XPF1616	15.00	15.00	381	381	.89	.89	23	23	920	417
18	6	450	150	CPF186	XPF186	13.00	15.50	330	394	.75	.55	19	14	836	380
18	8	450	200	CPF188	XPF188	13.00	15.50	330	394	.75	.60	19	15	840	381
18	10	450	250	CPF1810	XPF1810	13.00	15.50	330	394	.75	.68	19	17	862	391
18	12	450	300	CPF1812	XPF1812	13.00	15.50	330	394	.75	.75	19	19	888	402
18	14	450	350	CPF1814	XPF1814	16.50	16.50	419	419	.75	.66	19	17	1100	499
18	16	450	400	CPF1816	XPF1816	16.50	16.50	419	419	.96	.89	24	23	1125	510
18	18	450	450	CPF1818	XPF1818	16.50	16.50	419	419	.96	.96	24	24	1145	519
20	6	500	150	CPF206	XPF206	14.00	17.00	356	432	.80	.55	20	14	1020	463
20	8	500	200	CPF208	XPF208	14.00	17.00	356	432	.80	.60	20	15	1029	467
20	10	500	250	CPF2010	XPF2010	14.00	17.00	356	432	.80	.68	20	17	1049	476
20	12	500	300	CPF2012	XPF2012	14.00	17.00	356	432	.80	.75	20	19	1070	485
20	14	500	350	CPF2014	XPF2014	14.00	17.00	356	432	.80	.66	20	17	1105	501
20	16	500	400	CPF2016	XPF2016	18.00	18.00	457	457	.80	.70	20	18	1365	619
20	18	500	450	CPF2018	XPF2018	18.00	18.00	457	457	1.03	.96	26	24	1380	626
20	20	500	500	CPF2020	XPF2020	18.00	18.00	457	457	1.03	1.03	26	26	1440	653
24	6	600	150	CPF246	XPF246	15.00	19.00	381	483	.89	.55	23	14	1240	562
24	8	600	200	CPF248	XPF248	15.00	19.00	381	483	.89	.60	23	15	1270	577
24	10	600	250	CPF2410	XPF2410	15.00	19.00	381	483	.89	.68	23	17	1300	590
24	12	600	300	CPF2412	XPF2412	15.00	19.00	381	483	.89	.75	23	19	1330	603
24	14	600	350	CPF2414	XPF2414	15.00	19.00	381	483	.89	.66	23	17	1360	617
24	16	600	400	CPF2416	XPF2416	15.00	19.00	381	483	.89	.70	23	23	1450	658
24	18	600	450	CPF2418	XPF2418	22.00	22.00	559	559	.89	.75	23	24	1915	869
24	20	600	500	CPF2420	XPF2420	22.00	22.00	559	559	1.16	1.03	29	26	1950	884
24	24	600	600	CPF2424	XPF2424	22.00	22.00	559	559	1.16	1.16	29	29	2250	1021

C110 Full Body Push-On Fittings

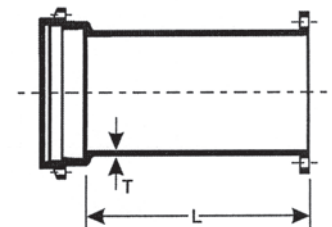


Reducers

Size in.	Size in.	Size mm	Size mm	Item No.		L in.	L mm	T in.	T mm	T1 in.	T1 mm	Approx. Wt.	
				CI	DI							lb	kg
6	4	150	100	CPR64	XPR64	9	229	.55	14	.52	13	60	27
8	4	200	100	CPR84	XPR84	11	279	.60	15	.52	13	80	36
8	6	200	150	CPR86	XPR86	11	279	.60	15	.55	14	105	48
10	4	250	100	CPR104	XPR104	12	305	.68	17	.52	13	105	48
10	6	250	150	CPR106	XPR106	12	305	.68	17	.55	14	138	63
10	8	250	200	CPR108	XPR108	12	305	.68	17	.60	15	153	69
12	4	300	100	CPR124	XPR124	14	356	.75	19	.52	13	135	61
12	6	300	150	CPR126	XPR126	14	356	.75	19	.55	14	165	75
12	8	300	200	CPR128	XPR128	14	356	.75	19	.60	15	184	84
12	10	300	250	CPR1210	XPR1210	14	356	.75	19	.68	17	212	96
14	6	350	150	CPR146	XPR146	16	406	.66	17	.55	14	200	91
14	8	350	200	CPR148	XPR148	16	406	.66	17	.60	15	220	100
14	10	350	250	CPR1410	XPR1410	16	406	.66	17	.68	17	240	109
14	12	350	300	CPR1412	XPR1412	16	406	.66	15	.75	19	270	123
16	6	400	150	CPR166	XPR166	18	457	.70	18	.55	15	287	130
16	8	400	200	CPR168	XPR168	18	457	.70	18	.60	17	260	118
16	10	400	250	CPR1610	XPR1610	18	457	.70	18	.68	19	337	153
16	12	400	300	CPR1612	XPR1612	18	457	.70	18	.75	17	391	178
16	14	400	350	CPR1614	XPR1614	18	457	.70	18	.66	18	370	168
18	8	450	200	CPR188	XPR188	19	483	.75	19	.60	17	310	141
18	10	450	250	CPR1810	XPR1810	19	483	.75	19	.68	17	340	155
18	12	450	300	CPR1812	XPR1812	19	483	.75	19	.75	19	370	168
18	14	450	350	CPR1814	XPR1814	19	483	.75	19	.66	17	420	191
18	16	450	400	CPR1816	XPR1816	19	483	.75	19	.70	19	455	207
20	10	500	250	CPR2010	XPR2010	20	508	.80	20	.68	17	395	180
20	12	500	300	CPR2012	XPR2012	20	508	.80	20	.75	19	425	193
20	14	500	350	CPR2014	XPR2014	20	508	.80	20	.66	17	475	216
20	16	500	400	CPR2016	XPR2016	20	508	.80	20	.70	18	515	234
20	18	500	450	CPR2410	XPR2018	20	508	.80	20	.75	19	560	255
24	12	600	300	CPR2412	XPR2412	24	610	.89	23	.75	19	575	261
24	14	600	350	CPR2414	XPR2414	24	610	.89	23	.66	17	635	289
24	16	600	400	CPR2416	XPR2416	24	610	.89	23	.70	18	675	307
24	18	600	450	CPR2418	XPR2418	24	610	.89	23	.75	19	725	330
24	20	600	500	CPR2420	XPR2420	24	610	.89	23	.80	20	775	352

PO x Flange Adapters

Diameter		Item Number		L		T		Weight	
in.	mm	CI	DI	in.	mm	in.	mm	lb.	kg
4	100	CPFA4	XPFA4	8.0	203	.52	13	45	20
6	150	CPFA6	XPFA6	8.0	203	.55	14	60	27
8	200	CPFA8	XPFA8	8.0	203	.60	15	97	44
10	250	CPFA10	XPFA10	8.0	203	.68	17	128	58
12	300	CPFA12	XPFA12	8.0	203	.75	19	172	78
14	350	CPFA14	XPFA14	8.0	203	.66	17	275	125
16	400	CPFA16	XPFA16	8.0	203	.70	18	292	133
18	450	CPFA18	XPFA18	8.0	203	.75	19	385	175
20	500	CPFA20	XPFA20	8.0	203	.80	20	440	200
24	600	CPFA24	XPFA24	8.0	203	.89	23	700	318





The Total SIGMA Line Card

Mechanical Joint Fittings*

- Compact, DI, 2"–48" (AWWA C153)
- Full Body, DI, 3"–48" (AWWA C110)

Push-On Fittings*

- Compact DI, 4"–24" (AWWA C153), TYTON® Joint
- Full Body, CI/DI, 4"–24" (AWWA C110)

Flanged Fittings

- DI Fittings 2" – 54" (AWWA C110)
- CI Fittings 3" – 12" (AWWA C110)

*Sizes 3-24 Available with AWWA C116 Fusion Bonded Epoxy
All Fittings Products sizes 4-48" available with PROTECTO 401® Ceramic Epoxy Lining for wastewater applications

Mechanical Joint Accessories

- Gland Packs
- Valve Packs
- Bolt Packs
- T Bolts & nuts
- BLUE T Bolts & Nuts

Retainer Glands with Set Screws 3" – 48"

Flange Adapters (ZIP FLANGE®): 4" – 48"

OMNI-SLEEVE™ (all-in-one patented wall sleeve)

Threaded Flanges & Flange Adapters

- 3" – 54" (for DI Pipe Fabrication)
- Drilled and Tapped Flanges
- 250 lb Drilled Flanges
- Anchor Flanges
- MJ Bell Adapters – Threaded Bell + PE Adapter

Municipal Construction Castings

- Valve Boxes & Service Boxes, risers and extensions
- Service Boxes & Curb Boxes
- Meter Boxes & Lids
- Manhole Covers, Grates, & Frames, Risers Rings
- Ornamental & Architectural Castings

PV-LOK™ (Serration Type Restraints)

PVM Series: Pipe to MJ Bells

- 4" – 48" Restraints for PVC Pipe with DI Pipe OD
- 2" – 12" Restraints for PVC Pipe with Steel Pipe OD

PVP* Series: Spigot PVC Pipe to PVC Pipe Bells

- 4" – 48" Restraints for PVC with DI Pipe OD
- 2" – 12" Restraints for PVC Pipe with Steel Pipe OD

PVPF Series: Pipe to PVC Pressure Fittings

- 4" – 48" Restraints for PVC Pipe with DI Pipe OD
- 4" – 8" Restraints for PVC with Steel Pipe OD

*Also for use with DI pipe in 4" – 16" range

ONE-LOK™ (Wedge-Action Type Restraints)

SLD Series: DI Pipe to MJ Bells

- 3" – 48" Restraints for DI Pipe
- 4" – 12" 20" Available for Large Size CI Pipe OD (SLDM)
- 4" – 12" Split Restraints (SSLD)
- 4" – 24" Harness Restraint for DI pipe joints (SLDH)

SLC Series: PVC Pipe to MJ Bells

- 4" – 36" Restraints for PVC Pipe with DI Pipe OD
- 4" – 12" Restraints for PVC Pipe with Steel Pipe OD

*3" – 24" restraints are available in loose or packaged with MJ gasket and T-head bolts & nuts. 30" – 48" available as a package only.

Extended Products

- Tie-Rod Accessories
 - Duc lugs
 - Threaded Rods
 - Eye Bolts
 - Pipe Hangers and Clamps
- Flange Accessory Kits
 - Pipe Lubricant
 - Hydraulic Cement
 - Tracer Wire
 - Detectable Tape

www.sigmaco.com

Cream Ridge, NJ (800)-999-2550 crm-sales@sigmaco.com	Houston, TX (800)-999-0109 htn-sales@sigmaco.com	Alexander City, AL (800)-824-4513 rps-sales@sigmaco.com	Ontario, CA (800)-688-6230 ont-sales@sigmaco.com	Sauk Village, IL (888)-999-0420 chi-sales@sigmaco.com
New York	Texas	Florida	California	Illinois
New Jersey	Louisiana	Alabama	Arizona	Indiana
Maryland	Arkansas	Georgia	Colorado	Wisconsin
Delaware	Missouri	North Carolina	Alaska, Hawaii	Michigan
Virginia	Kansas	South Carolina	Idaho, Utah	Minnesota
New England	New Mexico	Tennessee	Nevada	North Dakota
Eastern Canada	Nebraska	Mississippi	Washington	South Dakota
Pennsylvania	Oklahoma		Oregon, Wyoming	Ohio
	Iowa		Montana	Kentucky
	Puerto Rico		Western Canada	West Virginia